

USER GUIDE



Mic Tally Gadget

P/N 991012

Revision 1.0 - 04/22



ANGRY AUDIO

PHONE

+1 (615) 763-3033

WEB

answers@angryaudio.com
www.angryaudio.com

ADDRESS

128 HOLIDAY CT STE 118
Franklin TN 37067 USA

Welcome to the world of Angry Audio, home of the audio gadgets.

A quick peek at the growing catalog of Angry Audio products reveals a pretty diverse array of Gizmos and Gadgets, but they all have a few things in common.

For starters, each one was created to solve a unique but common challenge in the studio one of those niggling annoyances that crop up over and over again but don't seem to have a really solid solution. Plus, each Gizmo and Gadget is engineered and manufactured to impeccably high standards and follows our philosophy that great sounding audio is made by paying careful attention throughout the signal path.

Our promise and guarantee.

We love the Mic Tally Gadget and we think you will too. But we're also realists and understand you thought you'd love the Pajama Jeans, Flowbee, and Neckline Slimmer you ordered on night four of your battle with insomnia. That's why we'll buy back your Gadget if you change your mind within 30 days.

Plus, every Gizmo and Gadget is warrantied to be free from defects in parts and workmanship for two full years after you purchase it. If a Gizmo or Gadget fails within this time period, Angry Audio, at its discretion, will repair or replace it so long as you let us know of the failure within the warranty period and can provide proof of purchase in the form of a dated sales receipt.

You can call us at +1 615 763 3033 or reach out to us online via our website at www.angryaudio.com/contact.

Making a good first impression.

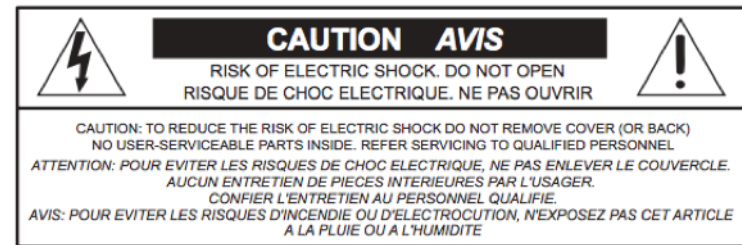
When you unbox your Mic Tally Gadget, we really hope it makes a good first impression and that you take a moment to appreciate the lengths we've gone to in order to create a "built for broadcast" product. Behold the durable powder coated steel enclosure (oooooh) and the premium components within (aaaahhh), and sleep easy knowing that all of our products are over engineered to provide long term reliability and guaranteed RFI immunity. Even if you can't see it, you'll hear it!

A word or two about safety.

This section used to be eight pages long back in the day when we made the Angry Lint Fired Clothes Dryer, the Angry Open Door Microwave Oven, the Angry Gasoline Powered Toaster, the Angry Balsa Wood Ladder, and famously, the Angry NoGuard™ Deli Meat Slicer.

And while we've since moved on to building audio products, which are comparatively benign, there are still some things to keep in mind for your safety.

Mic Tally Gadgets are intended to be used by qualified personnel only. To avoid electric shock, do not open the unit or attempt to perform any servicing unless you are qualified to do so.



Mic Tally Gadgets have internal 115VAC or 230VAC power supplies. Hazardous voltages are present whenever the unit is plugged in and may still be present on certain components even when the unit is unplugged.

The power cord is the primary disconnect device and so the outlet providing power to the Gadget should be easily accessible. In other words, make sure you can back out of making bad electrical decisions by yanking the plug.

Use only a properly grounded outlet for power. Do not cut the ground pin or use a ground lifting adapter, and do not defeat the polarized plug. Do not overload outlets. We're looking at you Clark Griswold.

Why the Mic Tally Gadget?

M!KA microphone arms, with all their pretty tally lights, are popular broadcast studio furnishings. But you need to be able to control those tally lights.

How do you do that? The Mic Tally Gadget, that's how.



To assume control of your tally lights, attach a 3 pin XLR female connector on the mic end of the cable and a 5 pin XLR male connector on the base end. We've gone through the trouble of including four 5 pin male connectors (in case your tally arms came with bare cables), but you may require adapters for these connections; don't fret we make those too! Microphone audio and signal voltage for your tally lights are carried via 5 pin XLR connectors through the Mic Tally Gadget direct to your audio mixing console via RJ45 StudioHub connectors (the gadget only serves as a pass through for your audio signal; there is no amplification or processing).

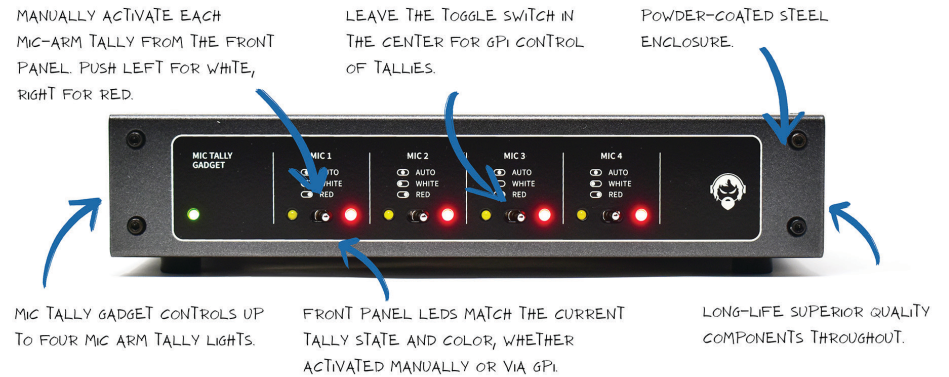
Each tally can be red or white. Use one color to signify on air, another color for ready. Or they can be set up to indicate some other status. Front panel switches can be used to manually control the tally lights as well.

If you're running a console with built in logic, you can also control the lights remotely via the four opto isolated RJ45 logic ports on the rear panel. You can drive these inputs with voltages from +3.3VDC to 12VDC. Various configurations are possible.

Power is provided by an internal 115V or 230V power supply via captive power cable.

Note: These connection instructions are specific to the M!KA microphone arms with tally and AXIA GPIO logic ports. Other microphone arms and/or consoles may be compatible, but the instructions will need to be adapted to the differences.

The front panel.



The back panel.

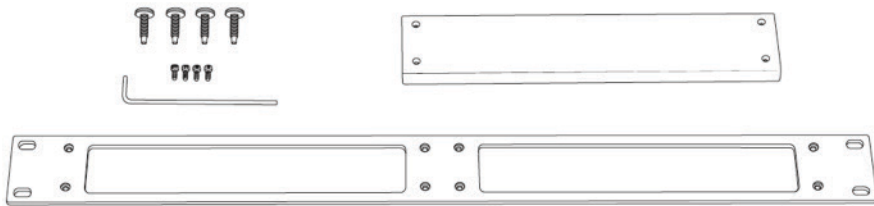


Rack mounting your Mic Tally Gadget.

The Mic Tally Gadget sits on four rubber feet that ensure it won't scratch or otherwise disfigure the custom Italian marble surfaces prevalent throughout your palatial studio.

If you prefer to rack mount your Gadget, however, you'll need the optional Rack Mount kit which allows one or two Gadgets to be installed side by side in a standard 1RU rack space.

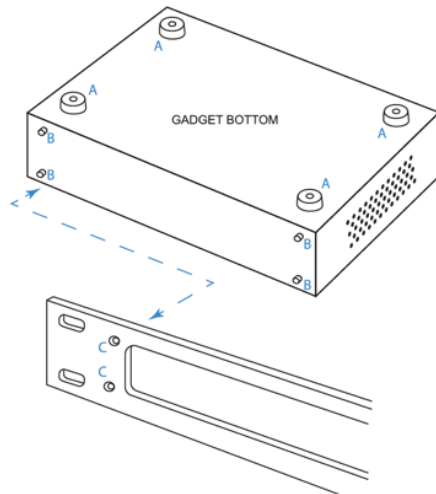
Each Rack Mount kit consists of a custom rack panel with cut outs for all front panel controls and displays. A blank filler panel is also provided if you are mounting only one Gadget.



When rack mounting, remove the four rubber feet ("A") from the bottom of the Gadget with a #1 Phillips screwdriver, being careful to save the screws.

Remove the four front panel 3/32" hex screws ("B"). You can rummage around your toolbox for your own hex key or use the one we thoughtfully provide in the mounting kit.

Line up your Gadget so that the holes exposed after removing the sockethead screws line up with the mounting holes ("C") in the rack panel.



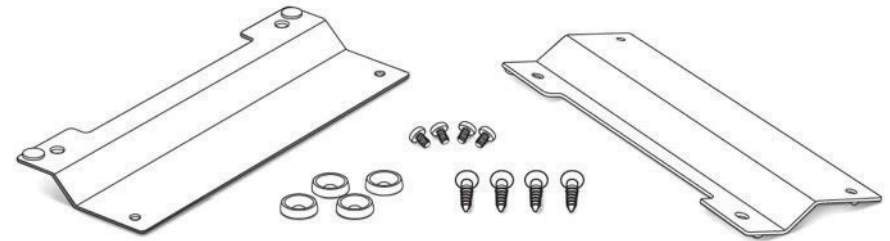
Attach the rack panel to the front of your Gadget with the same screws you just removed. If you dropped one and it immediately rolled to an inaccessible location as they always do, don't panic we've included spares in the kit.

Finally, use the provided rack screws (all four, please) to mount your Gadgets.

Wall mounting your Mic Tally Gadget.

If you prefer to secure your gadget to the inside of a rack, cabinet, or other flat surface, the optional Wall Mount kit comes in handy.

Each Wall Mount Kit includes two brackets, four No. 6 screws, and four cup washers.

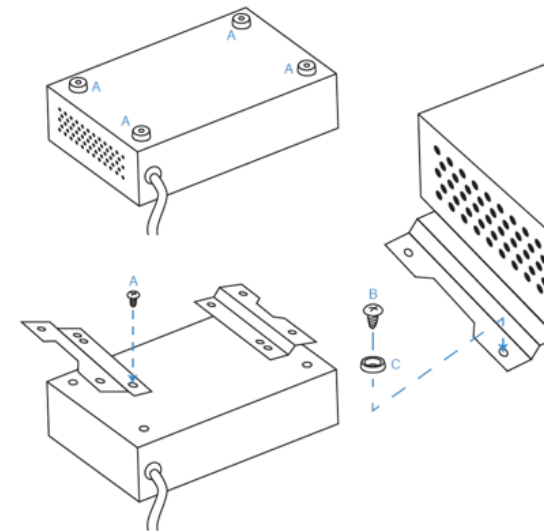


Remove the four rubber feet ("A") from the bottom of the Gadget with a #1 Phillips screwdriver, being careful to save the screws.

Align the holes in the wall Brackets with the holes in the bottom of the Gadget, then attach the brackets using the screws removed from the rubber feet.

Use the four No. 6 screws ("B") and the four cup washers ("C") to secure the Gadget to a Plywood surface.

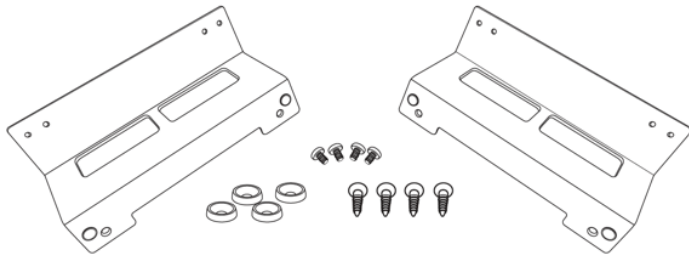
Different hardware (not supplied) will be required if you are mounting the Gadget to a drywall (or other) surface.



Mounting your Mic Tally Gadget under a counter.

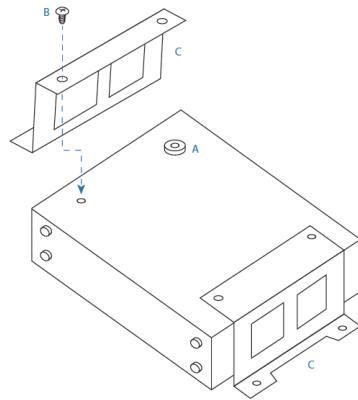
Your Mic Tally Gadget can be mounted under a counter, desk, or table using the optional Under Counter Mount Kit.

This kit includes two brackets, four No. 6 wood screws, and four cup washers suitable for mounting to a plywood surface. Different hardware (not supplied) may be needed if the mounting surface is a different material.

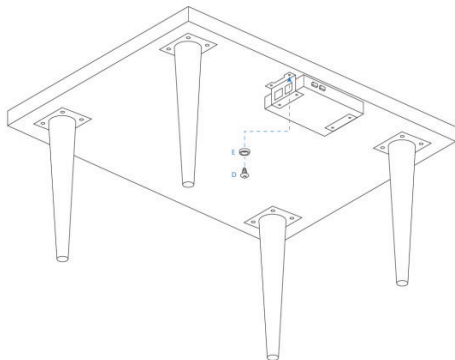


Remove the four rubber feet ("A") from the bottom of the Gadget using a #1 Phillips screwdriver, being careful to save the screws.

Line up the brackets ("C") so that their mounting holes line up with holes exposed after removing the rubber feet. Orient the brackets as shown in the diagram to the right so that the deeper flat side supports the Gadget and the "notched" side faces the under mount surface.



Use the panhead screws ("B") removed from the rubber feet to secure the brackets to the Gadget.



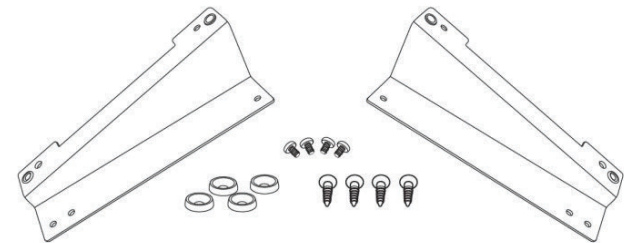
Use the four provided No. 6 screws ("D") and the four cup washers ("E") as shown in the diagram to the left to secure the Gadget to the plywood underside of the counter, desk, or table.

Drilling pilot holes is recommended to reduce the risk of splitting the wood.

Using your Mic Tally Gadget on a desktop.

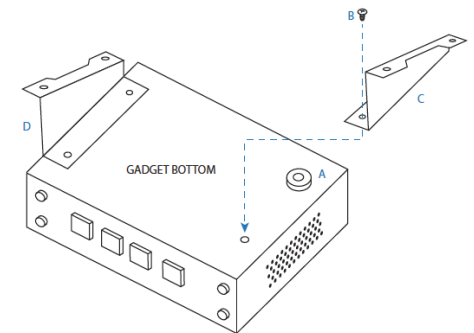
If you like the idea of using the Mic Tally Gadget on a desktop but prefer a more permanent installation along with the convenience of having it angled up toward the user, we've got you covered with the optional Desktop Bracket Kit.

This kit includes two brackets, four No. 6 wood screws, and four cup washers suitable for mounting to a plywood surface. Different hardware (not supplied) may be needed if the mounting surface is a different material.



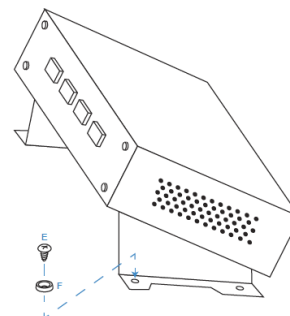
Remove the four rubber feet ("A") from the bottom of the Gadget using a #1 Phillips screwdriver, being careful to save the screws.

With the bottom of the Gadget facing up and the front panel facing toward you, line up bracket "C" with the holes exposed after removing the feet on the right side of the Gadget. Orient the bracket as shown in the diagram to the right so that the flat side is attached to the Gadget, and the "notched" side sticks up with the notch facing outwards. Use the panhead screws ("B") removed from the rubber feet to secure the brackets to the Gadget.

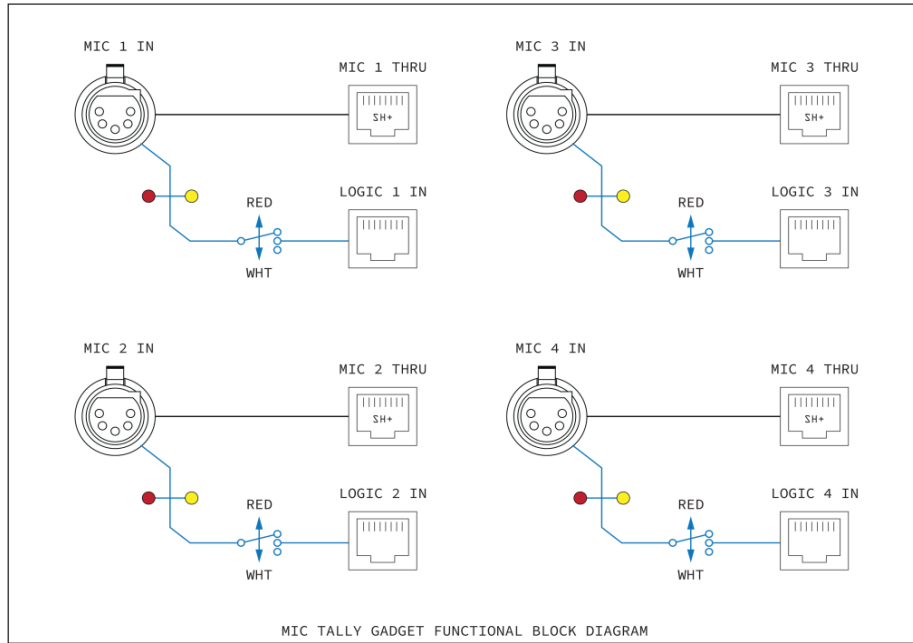


Use the four provided No. 6 screws ("E") and cup washers ("F") as shown in the diagram above to secure the Gadget to a plywood surface.

Drilling pilot holes is recommended to reduce the risk of splitting the wood.



The Ins and Outs of your Mic Tally Gadget.



In the U.S.

In the U.S., this gadget complies with the limits for a Class A computer device as specified by FCC Rules, Part 15, Subpart J, which are designed to provide reasonable protection against such interference when this type of equipment is operated in a commercial environment.

In Canada.

In Canada, this gadget does not exceed the Class A limits for radio noise emissions set out in the Radio Interference Regulations of the Canadian Department of Communications.

In Europe.

This gadget complies with the requirements of the EEC Council Directives 93/68/EEC (CE Marking), 73/23/EEC (safety low voltage directive), and 89/336/EEC (electromagnetic compatibility). Conformity is declared to standards EN50081 1 and EN50082 1

Part Numbers.

Mic Tally Gadget

North America (115V)
Australia (230V)
Europe (230V)
United Kingdom (230V)

Part No. 991012
Part No. 991012A
Part No. 991012E
Part No. 991012U

Specifications.

Audio Connections

Mic Inputs 5 pin XLR female jacks
Mic Throughs RJ45 female jacks, StudioHub+ pinout
Logic Inputs RJ45 female jacks, opto-isolated

Power and Environmental

Mains Power 115VAC/230VAC, 50/60Hz
Power Connection Captive power cable, various plugs
Tally Output 12VDC, 80mA
Operating Temperature 0 to 40 C (32 to 104 F)
Storage Temperature 20 to 45 C (4 to 113 F)
Relative Humidity 0% to 90% non condensing

Product Dimensions & Weight

Width x Depth x Height 12 x 9 x 6 in. (30.5 x 22.9 x 15.3 cm)
Weight 5 pounds (2.27 kg)

Shipping Dimensions & Weight

Width x Depth x Height 12 x 9 x 6 in. (30.5 x 22.9 x 15.3)
Shipping Weight 5 pounds (2.27 kg)

Included in the box.

Mic Tally Gadget, XLR5M cable connectors (4 pcs), Axia GPIO adapters (4pcs).

